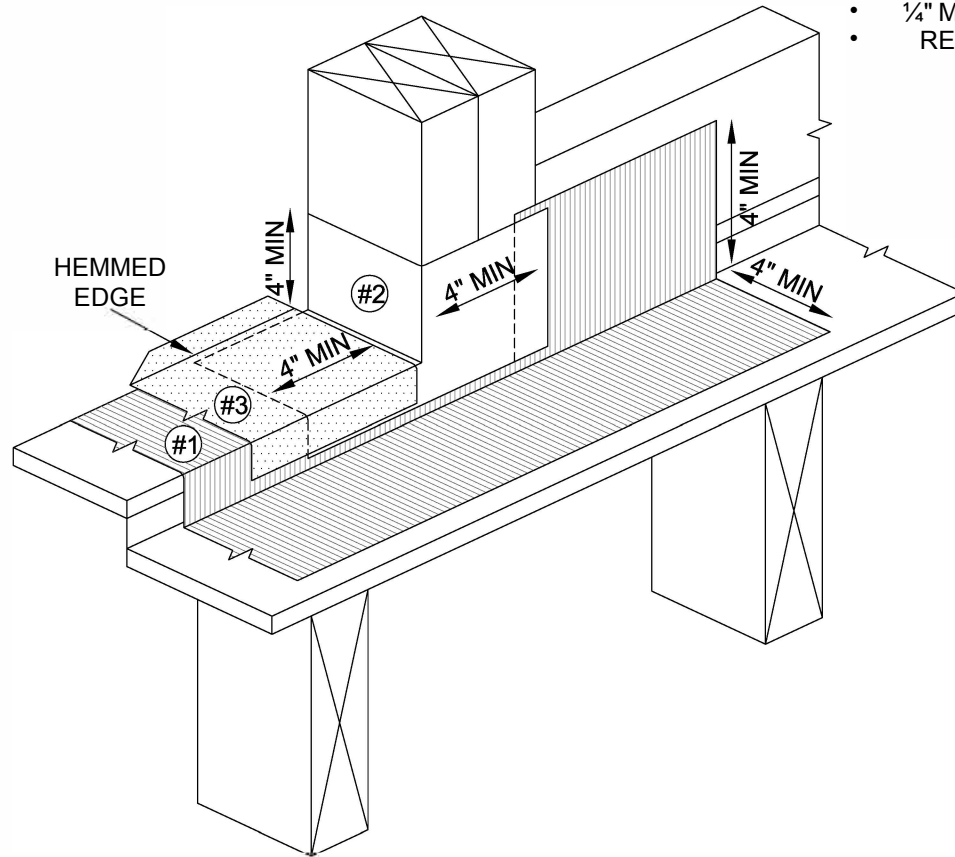


WESTCOAT THRESHOLD FLASHING DETAIL

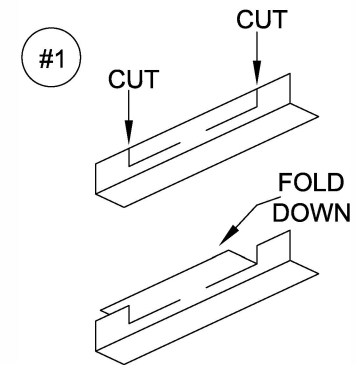
NOT TO SCALE

NOTES:

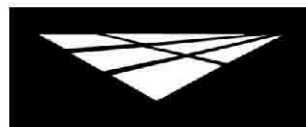
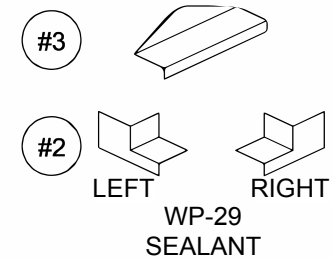
- APPLY WP-51 ON ALL FLASHING SEAMS AND OVERLAPS. STD. OVERLAP IS BOTTOM TO TOP WITH A 4" OVERLAP.
- 2500 PSI MINIMUM FOR CONCRETE SUBSTRATES
- 3/4" EXTERIOR GRADE MINIMUM FOR PLYWD. SUBSTRATE
- 1/4" MINIMUM SLOPE REQUIRED ON ALL DECKS
- REFER TO LOCAL BUILDING CODES & STANDARDS



SITE BUILT PIECE



PREFAB. PIECES



westcoat

800-250-4519
4007 LOCKRIDGE STREET

www.westcoat.com
SAN DIEGO, CA. 92102