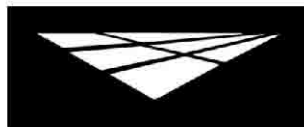
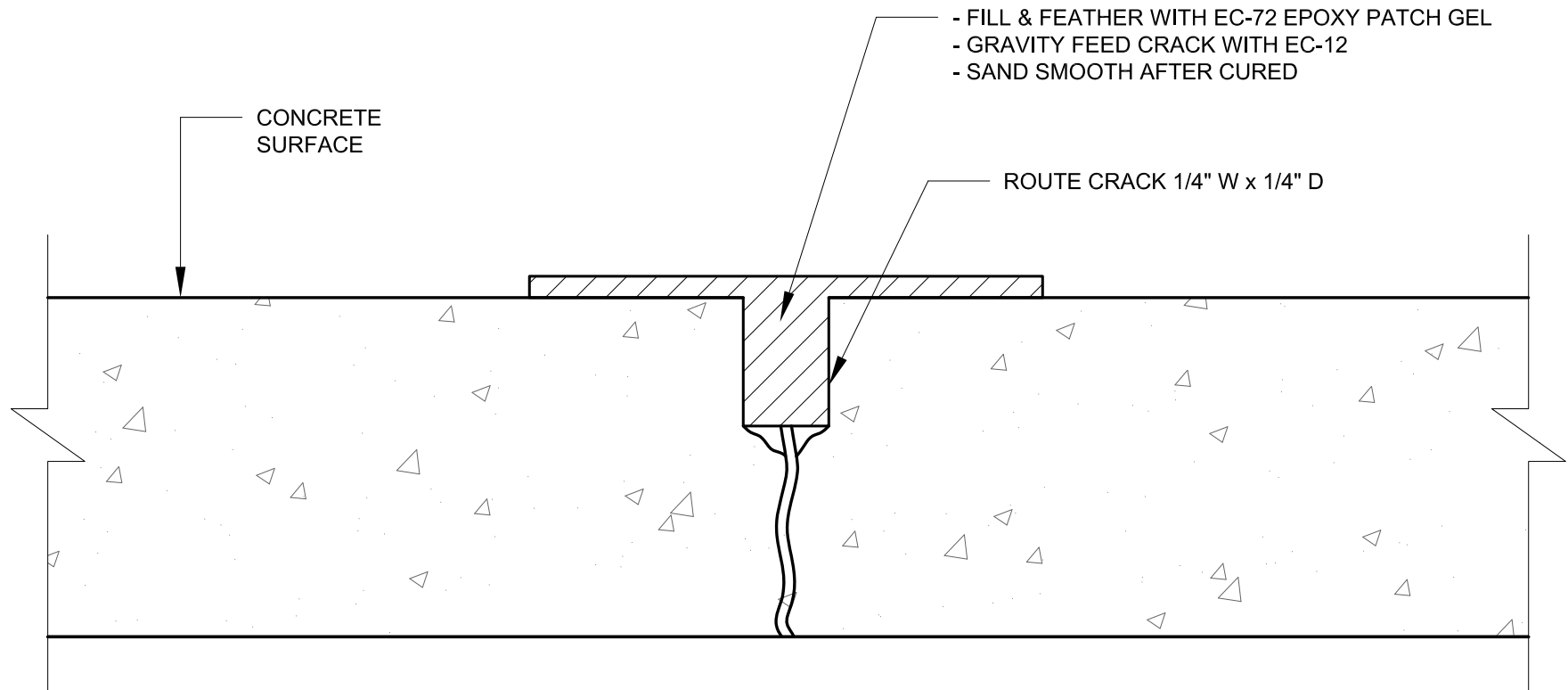


CRACK REPAIR: THIN FILM SYSTEMS

NOT TO SCALE

NOTES:

- 2500 PSI MINIMUM CONCRETE SUBSTRATES
- SEE ICRI STANDARDS FOR PROPER CONCRETE PREP
- REFER TO LOCAL BUILDING CODES AND DEPARTMENT OF ENVIRONMENTAL HEALTH STANDARDS



westcoat

800-250-4519
4007 LOCKRIDGE STREET

www.westcoat.com
SAN DIEGO, CA. 92102